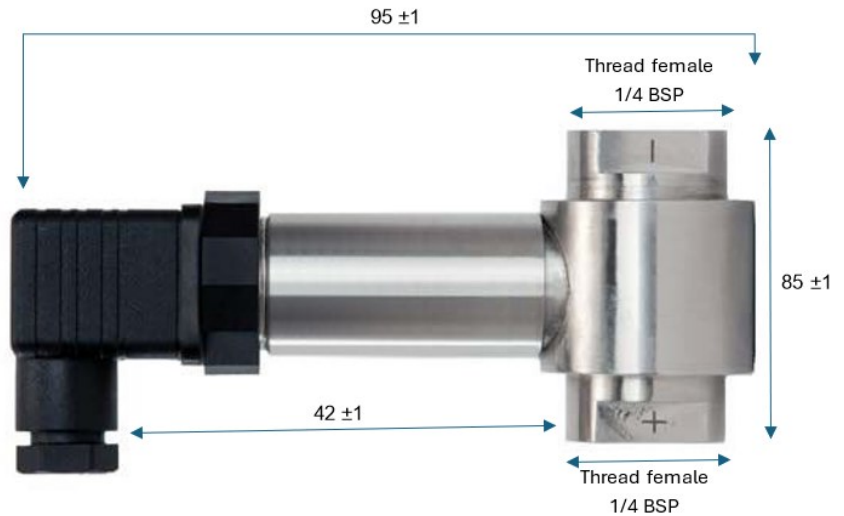


DIFFERENTIAL PRESSURE SENSOR 1/4"

CT-MDM5

- PIEZORESISTIVE SILICON CHIP
- PERFECT LONG TERM STABILITY
- MEMS TECHNOLOGY
- CE CERTIFIED



Specifications

Pressure range	0 – 25 bar
Overpressure (positive)	200% FS (<25Mpa), 150% FS (>25Mpa)
Output signal	4-20mA (typical), 0-10V
Accuracy	±0.25% FS (typical)
Long-term stability	0.3% FS/year
Zero temp. coefficient	±1.5% FS max. (-20-85 °C)
Span temp. coefficient	±1.5% FS max. (-20-85 °C)
Operation temperature	-40-125°C
Storage temperature	-40-125°C
Power supply	12-30Vcd 1 (+) 2 (-)
Compensated temp.	0--60 °C (typical)
Static pressure	20MPa (max.)
O-ring	NBR, Viton
Output signal	4-20mA (typical) 2 wire
Housing and diaphragm	Stainless steel SS316
connection	G 1/4" female waterline seal
Wire	39×φ0.015, Silicon shielded, 200 °C bearing 4 wire (typical) 5 wire (available)
Weight	470g (approx.)

Order codes

Parameters	Order code	
Differential Pressure Sensor	CT-MDM5	Connection mode
Output	4-20Ma (2 wire)	Pin 1: (+) Pin 2: (-)
	0-10V	Pin 1: (+) Pin 2: (-) Pin 3: out