

MEASUREMENT TRANSDUCER FOR CO₂, HUMIDITY AND TEMPERATURE – CF1



THE COMPACT MEASUREMENT TRANSDUCER.

- Measures CO₂, relative humidity, and temperature
- Hygromer® IN-1 humidity sensor
- Adjustable at 35 %RH or 80 %RH
- Scalable analog voltage or current outputs
- Single-relay output
- Small size
- Compatible with HW4 software
- Three programmable LEDs

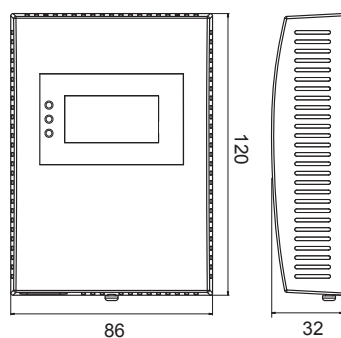


TECHNICAL INFORMATION

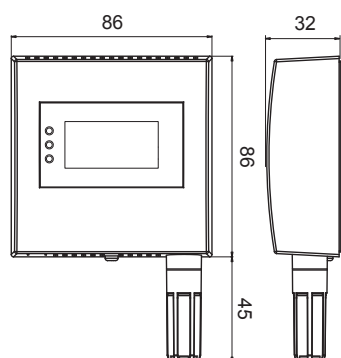
The CF1 series is the latest development in reasonably-priced CO₂ measurement transducers with integrated humidity and temperature measurement. The unit has the proven Hygromer® IN1 sensor, and an unrivalled price-performance ratio. Its elegant design fits in perfectly in offices, living-rooms, public buildings, etc. With the Rotronic SW21/HW4 software, altering the scaling is a simple matter, and the measurement transducer can be adjusted and calibrated in the humidity and CO₂ ranges.

Dimensions (in mm)

Type S



Type R



General Specifications	
Device type / Parameters	Humidity / temperature and CO ₂
Range of application	Electronics: 0 .. 50 °C Measuring range probe dependent 0 .. 100 %RH, non-condensing
Power supply	12..28 VAC / 15..40 VDC
Current Consumption	86.5 mA
Humidity measurement	
Humidity sensor	ROTRONIC Hygromer® IN1
Precision at 23 °C ± 5 K	<3 % RH (10..90 %RH)
Adjustment points	35, 80 %RH
Long-Term Stability	<1.5 %RH per year
Response time τ63	30s (63 % of a rise 35 .. 80 %RH) without filter
Temperature measurement	
Sensor	Thermistor
Standard temperature scaling	0..50 °C or 0..100 °F
Precision at 23 °C ± 5 K	±0.3, ±1 K type S with display
Response time τ63	4 s
CO₂ measurement	
Measurement principle	Infrared (NDIR)
Measurement range	0..2000 ppm or 0..5000 ppm
Precision at 23 °C ± 5 K	±40 ppm ± 3 % of measured value
0 .. 2000 ppm	±10 % of measured value
0 .. 5000 ppm	
Adjustment points	400 ppm
Response time	<3 min diffusion time
Pressure dependence	+ 1.6 % of read-off per kPa
Analog outputs	
Number	3 analog outputs (1 for each parameter) The mA and V output is not exchangeable. It is always fixed as mA or V. CF132 is the current output, CF135 is the voltage output
Current output	4 .. 20 mA
Voltage output	0..1V / 10V exchangeable via SW21/HW4 software
Load per output	V signal: ≥1kΩ/V; mA signal: ≤500 Ω
Relay	Exchangeable via software for each parameter max. switching voltage: 30 VDC / 125 VAC max. switching load: 1A at 30 VDC / 0.5A at 125 VAC min. switching load: 0.01 mA at 10 mV DC
Approval / Conformity	
RoHs conformity	Yes
CE / EMC	2014/30/EU / EN61000-6-1 / EN61000-6-2 EN61000-6-3 / EN61000-6-4
Housing / Mechanical parts	
Material	ABS
Dimensions	Type R: 131x86x32 (H,W,D) mm Type S: 120x86x32 (H,W,D) mm
IP protection class	IP 30
Weight	Type R: approx.115 g / Type S: approx.135 g

Would you like more information?

You will always find an up-to-date overview of the CF1 series on our Internet site at www.rotronic.com.

ROTRONIC AG, Grindelstrasse 6, CH-8303 Bassersdorf, Tel. +41 44 838 11 44, www.rotronic.ch

ROTRONIC Instruments (UK) Ltd, Crompton Fields, Crompton Way, Crawley, West Sussex, RH10 9EE, UK, Phone +44 (0)1293 571000, www.rotronic.co.uk

ROTRONIC Instrument Corp, 135 Engineers Road, Hauppauge, NY 11788, USA, Phone, +1 631 427-3898, www.rotronic-usa.com

ROTRONIC Canada Inc., 236 Pritchard Rd, Unit 204, Hamilton, ON, Canada, L8W 3P7, Phone + 1 905 754 5164, www.rotronic.ca

ROTRONIC Instruments Pte. Ltd., 1003 Bukit Merah Central, #06-31 Inno Centre, Singapore 159836, Phone +65 6376 2107, www.rotronic.sg

rotronic
MEASUREMENT SOLUTIONS